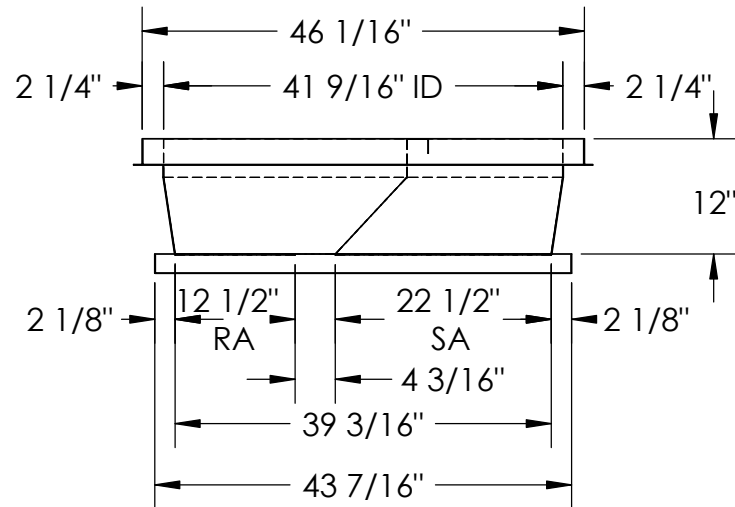
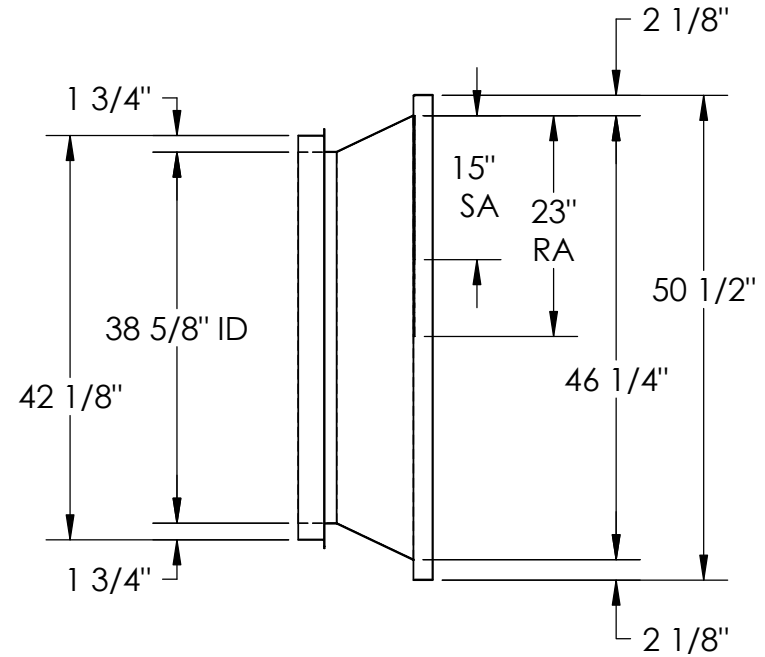
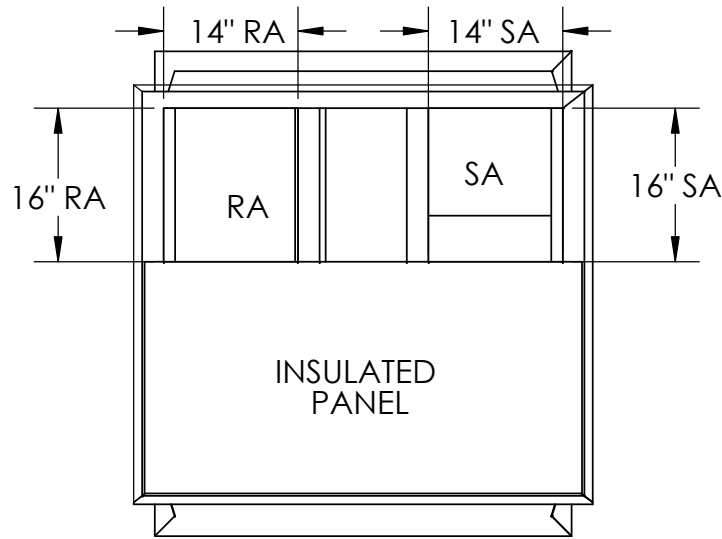


© 2007 COX ENGINEERING DBA CAMBRIDGEPORT AIR SYSTEMS.
 THE INFORMATION CONTAINED IN THIS DOCUMENT IS PROPRIETARY TO
 COX ENGINEERING COMPANY DBA CAMBRIDGEPORT AIR SYSTEMS.
 THIS DOCUMENT OR THE INFORMATION CONTAINED IN WHOLE OR IN PART
 MAY NOT BE ISSUED TO ANOTHER PARTY WITHOUT WRITTEN CONSENT AND
 AUTHORIZATION FROM CAMBRIDGEPORT.

SUBMITTAL

REVISIONS				
ZONE	REV.	DESCRIPTION	DATE	APPROVED



FEATURES:

1. ONE PIECE WELDED CONSTRUCTION
2. CURB ADAPTER MADE OF HEAVY GAUGE GALVANIZED STEEL.
3. ALL WELDS ARE COATED WITH A GALVANIZED COMPOUND.
4. GASKETING IS PROVIDED FOR UNIT TO CURB ADAPTER SEALING.
5. CURB ADAPTER IS FULLY INSULATED.
6. SUPPLY TRANSITION AND RETURN PLENUM INCLUDED.

Approved By: _____

Date: _____

MATERIAL: 18 GA GALV. (99.7 LBS.)

Cambridgeport		4 Carlton Drive Georgetown Ma 01833	1-800-648-2872
HVAC Accessories & Engineered Systems			
UNLESS OTHERWISE SPECIFIED	CUST:	DRAWN BP JSL	DESCRIPTION:
TOLERANCES:	CUST. JOB NO.	DATE: 6/8/2021	ASS'Y, ADAPTER
DECIMALS = ± .063 FRACTIONS = ± 1/16 ANGLES = ± 1°	OLD UNIT Goodman GPG1342		
MATERIAL CONDITIONS:	NEW UNIT Carrier 48VL-C 042 (CP13A)		
REMOVE ALL BURRS & SHARP EDGES ALL DIMENSIONS ARE O.D.	DETAIL OF 2016529	SHEET 1 OF 1	PART NO. 2016529
			REV.