

SMMS-*u* / SHRM-*u* VRF Indoor Unit MML-UP0181H-UL - Floor Console - Exposed

TOSHIBA
Carrier

Submittal Data

Job Name _____ Location _____
Tag _____



SMMS-*u* / SHRM-*u* VRF Floor Console - Exposed Features

- R-410A Refrigerant
- Six sizes from 7,500 to 24,000 Btu/h
- Piping, wiring, and drain can be routed from side (right), bottom, or back.
- Five-year parts limited warranty

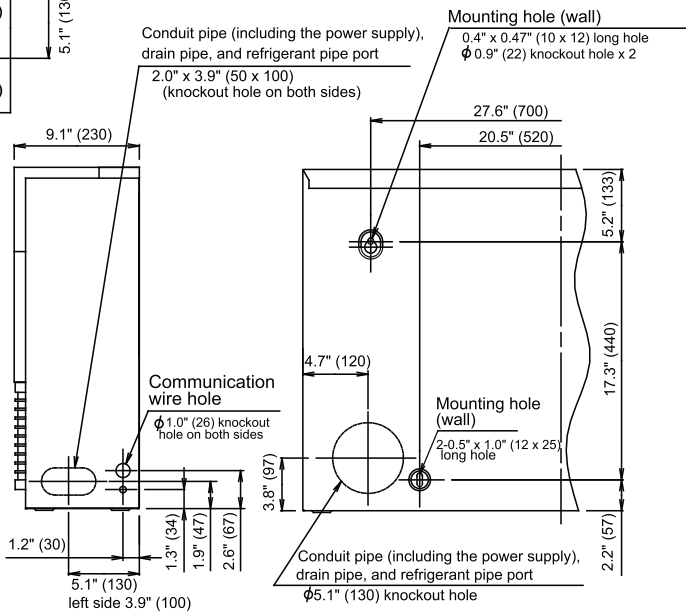
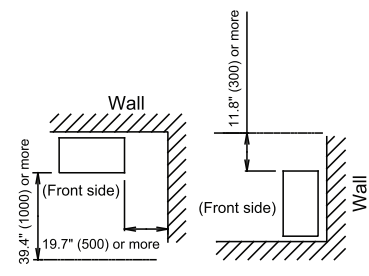
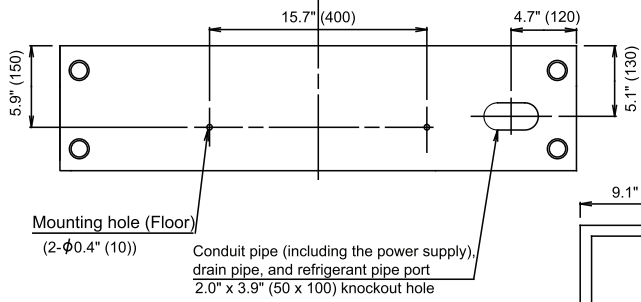
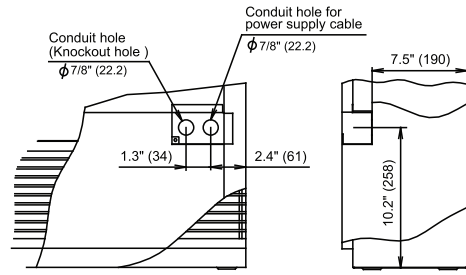
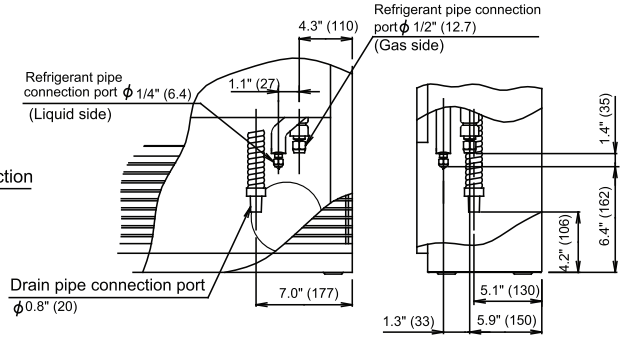
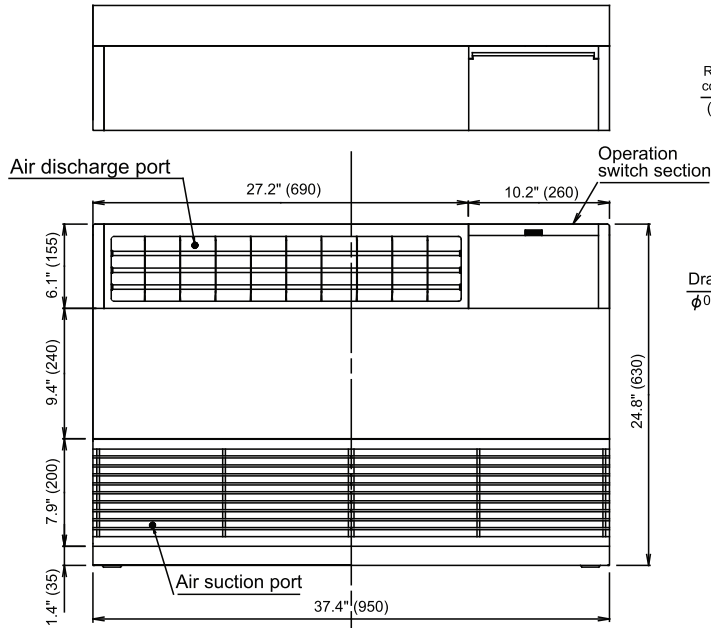
Indoor Unit Model	MML-UP0181H-UL	
PERFORMANCE		
Cooling Rated Capacity	Btu/h	18,000
Heating Rated Capacity	Btu/h	20,000
Fan Type (Qty)		Centrifugal (1)
Airflow (L / M / H)	CFM	460 / 550 / 640
Sound Pressure (L / M / H)	dBA	41 / 46 / 51 (208V) 43 / 48 / 53 (230V)
ELECTRICAL		
Power Supply	V/Ph/Hz	208-230/1/60
Power Consumption (Input)	kW	0.098 (208V) 0.113 (230V)
Full Load Amps (FLA)	A	0.6
Minimum Circuit Amps	A	0.7
Maximum Overcurrent Protection	A	15
Motor Type	AC Inverter Driven	
Motor Watts		70

PHYSICAL DATA		
Pipe Connection Size - Liquid (High Pressure)	in.	1/4 (Flare)
Pipe Connection Size - Gas (Low Pressure)	in.	1/2 (Flare)
Pipe Connection Size - Drain (OD)	in.	0.8
Refrigerant	R-410A	
External Finish	Silky Shade (Munsell 1Y8.5/0.5)	
Unit Width	in.	37.4
Unit Height	in.	24.8
Unit Depth	in.	9.1
Unit Net Weight	lb	88.2

ACCESSORIES (Optional)

- Wired Remote Controller (7-Day Programmable) RBC-AMS51E-ES / RBC-AWSU52-UL
- Simple Wired Remote Control RBC-AS41UL
- Remote Sensor TCB-TC41U-UL

DIMENSIONAL DRAWING INDOOR UNIT FLOOR CONSOLE - EXPOSED MML-UP0181H-UL



Units are in inches (mm)

